

Z551 9" DIAMETER MEDIUM-DUTY DRAIN



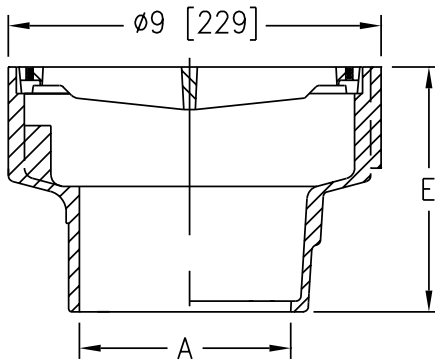
ENGINEERING SPECIFICATION

Zurn Z551 9" diameter top drain features Dura-Coated cast iron body with bottom outlet and medium-duty, slotted grate.

NOTES

†Add 3/16" to 'E' dimension and 3/4" to 9" dimension for ZN

A Pipe Size inch [mm]	Grate Open Area sq in [cm ²]	Approximate Weight lb [kg]
2 [51], 3 [76], 4 [102]	18 [116]	19 [9]



PREFIXES	DESCRIPTION	PIPE SIZE	LIST PRICE
Z551*	D.C.C.I. Body and Top	2", 3", 4"	326.00
ZN551	D.C.C.I. Body with Polished Nickel Bronze Top	2", 3", 4"	910.00

OUTLETS (SPECIFY PIPE SIZE IN INCHES AND TYPE OF OUTLET)			
OUTLET TYPE		PIPE SIZE/OUTLET TYPE	E BODY HT. DIM. ADD
IP	Threaded	4IP	4" 80.00
NH	No-Hub	2NH, 3NH, 4NH	5-3/4" N/C
NL	Neo-Loc	2NL, 3NL, 4NL	5-1/8" N/C

SUFFIXES			ADD
-D	Dome Grate	Z	84.00
		ZN	368.00
-DG	Duresist Grate		194.00
-G	Galvanized Cast Iron		248.00
-P	Trap Primer Connection		150.00
-SS	Stainless Mesh Liner for Bucket		290.00
① -TC	Neo-Loc Test Cap Gasket (2", 3", 4" NL Bottom Outlet Only)		24.00
-TG	Tractor Grate		140.00
-TS	Top Secured with Slotted Screws		129.00
-VP	Vandal-Proof Secured Top		149.00
-Y	Sediment Bucket		140.00

BEST SELLERS		LIST PRICE
Z551-4NH		326.00
Z551-4NL		326.00

*Regularly furnished unless otherwise specified.

Items designated as Best Sellers are most specified and are generally in stock for shipment.

① This symbol denotes a product that is engineered to reduce installation and rework time.

For additional product information, please visit www.zurn.com